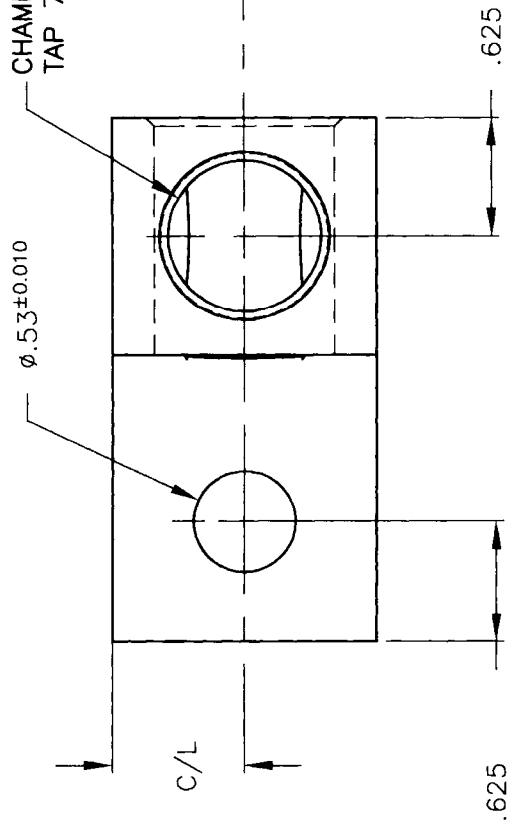
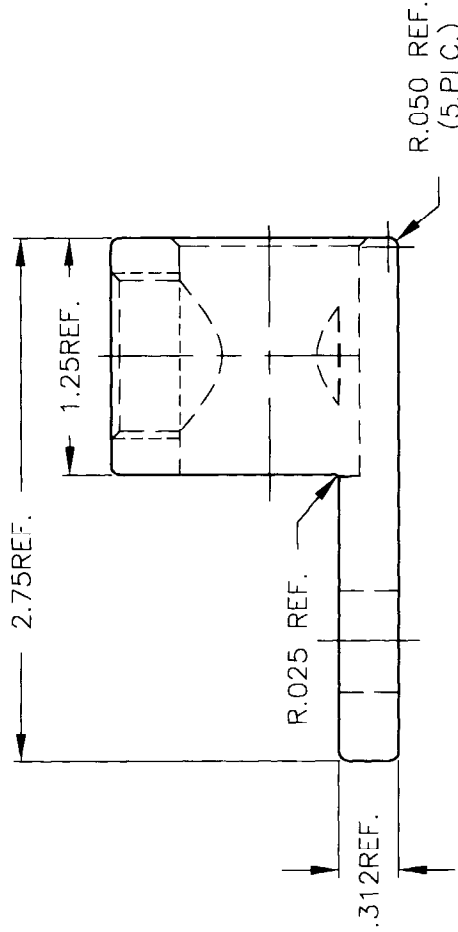


CHAMFER .045REF. X 45°
TAP 7/8-14UNF-2B



PARTS MARKED
600 kcmil-4
CU9AL
UL logo
CSA logo
IHI logo
S600

$\phi .938$



CHAMFER .045REF.
X 45°

THIS DRAWING AND DESIGN ARE THE PROPERTY OF INTERNATIONAL HYDRAULICS INC., CLEVELAND, OHIO, AND MAY NOT BE DUPLICATED, USED FOR BASIS OF DESIGN, OR MANUFACTURE WITHOUT THE WRITTEN PERMISSION OF INTERNATIONAL HYDRAULICS INC., CLEVELAND, OHIO.

INTERNATIONAL HYDRAULICS, INC.

NOTE: ASSEMBLE WITH (1) 14141 SCREW

TITLE:

S600-53-63

MATERIAL: EXTRUSION P/N X600	SIZE: A	DRAWN BY: TDS	CHECKED BY:	REV: 0
FINISH: TIN PLATE	DATE: 11/16/05	SCALE: NTS	DRAWING: S600-53-63	THIS IS A CAD DRAWING, DO NOT MANUALLY REVISE