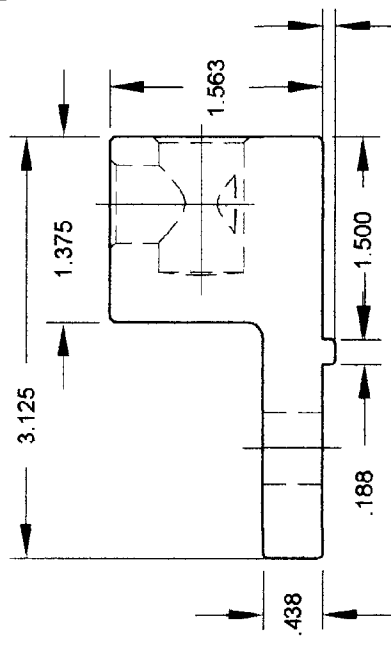
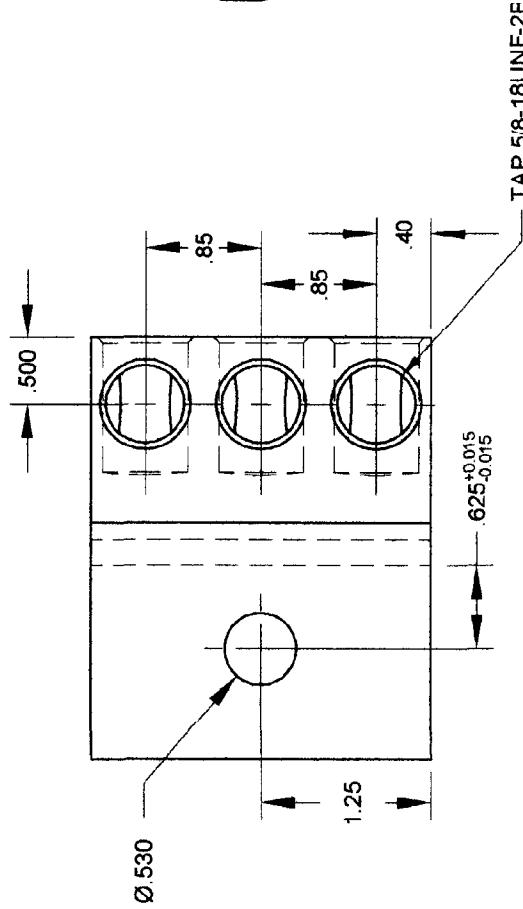
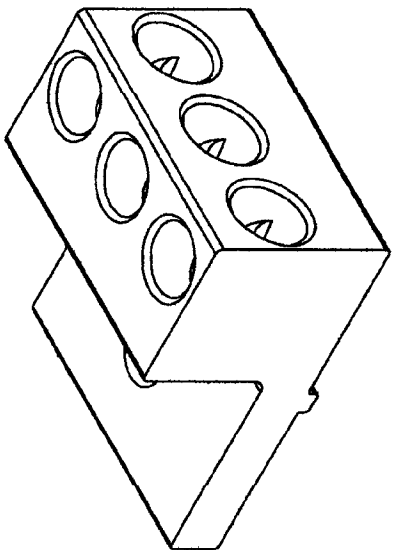
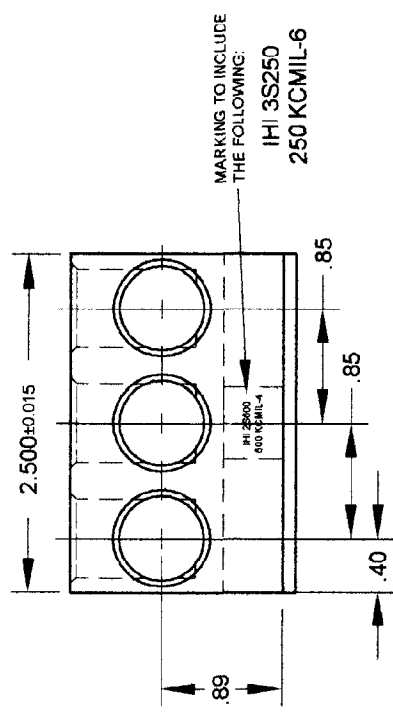


#	DESCRIPTION	DATE	APPROVED



DIM IN THIS VIEW
FOR REF. ONLY



THIS DRAWING AND DESIGN ARE THE PROPERTY OF INTERNATIONAL HYDRAULICS INC., CLEVELAND, OHIO, AND MAY NOT BE DUPLICATED, USED FOR BASIS OF DESIGN OR MANUFACTURE WITHOUT THE WRITTEN PERMISSION OF INTERNATIONAL HYDRAULICS INC., CLEVELAND, OHIO.

TITLE: **3S250TP MFG. DRAWING**

SIZE: A	DRAWN BY: TDS	CHECKED BY: XX	DRAWING: 14398	REV: 0
DATE: 12/19/02	SCALE: .75		THIS IS A CAD DRAWING, DO NOT MANUALLY REVISE	